





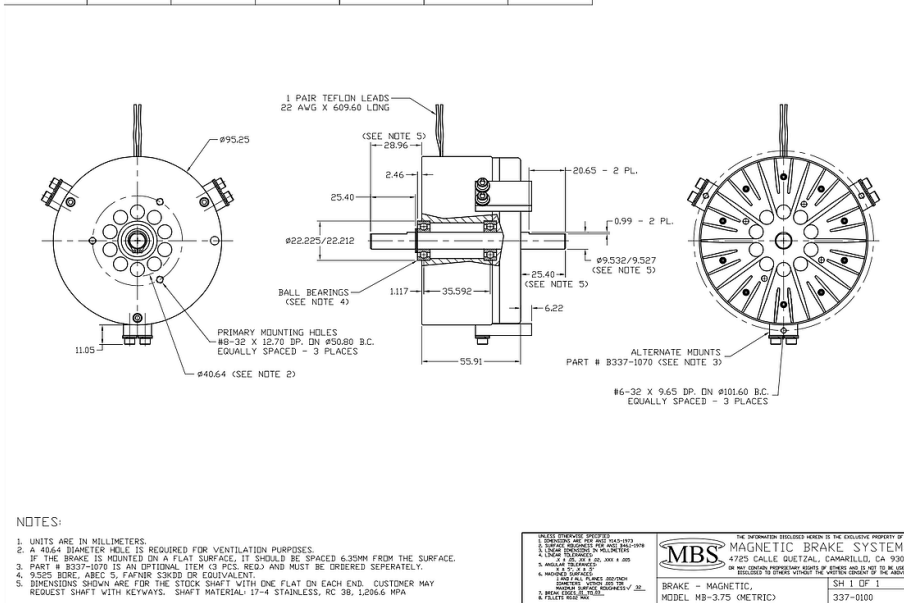
**MB-3.75**

**SPECIFICATIONS - SI**

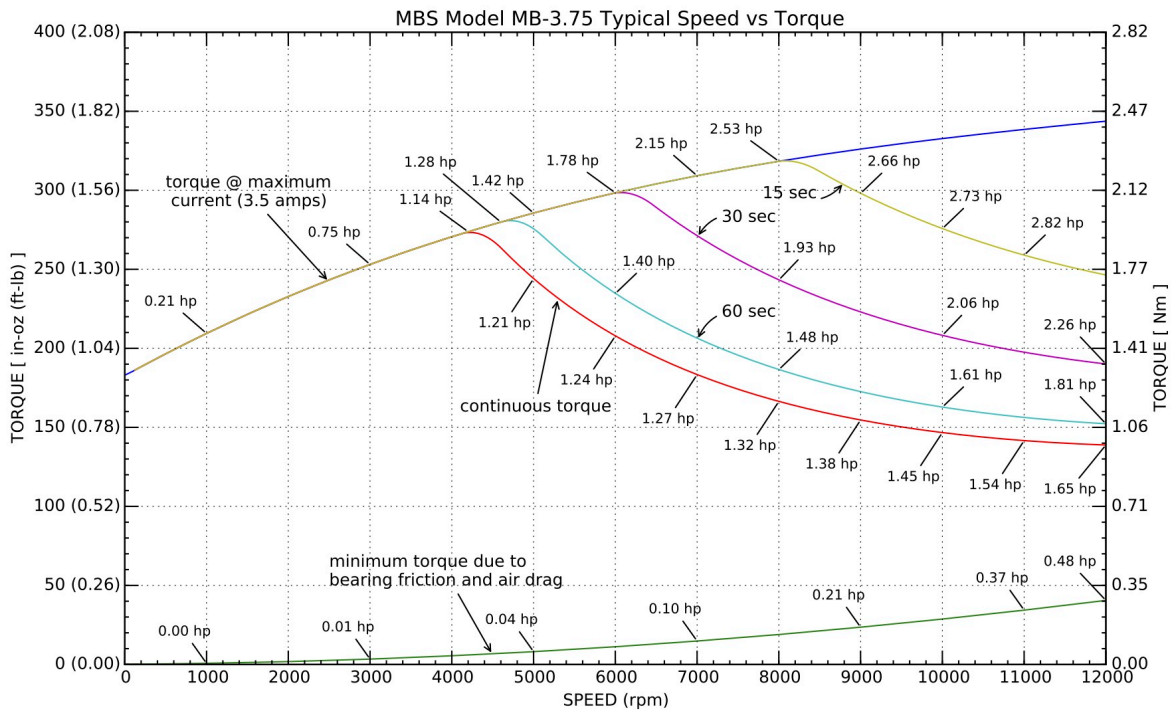
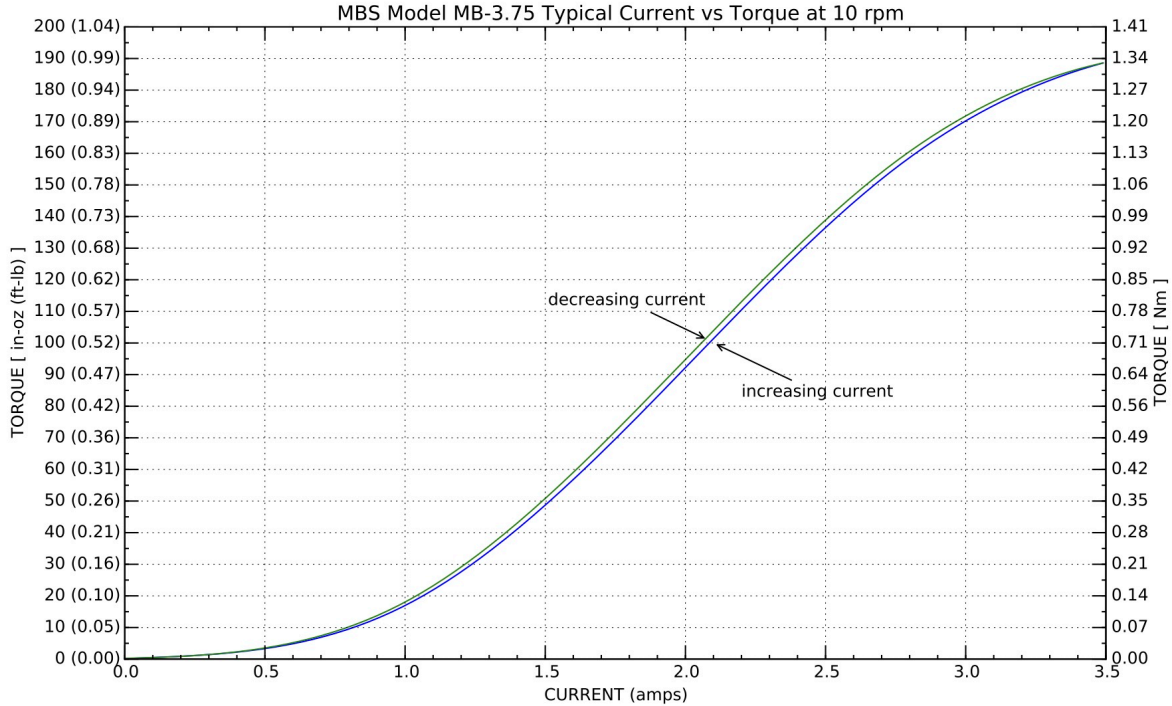
OUTSIDE DIAMETER:	<b>95.25 mm</b>
MAX. TORQUE AT ZERO RPM:	<b>0.92 N-m</b>
MAX. TORQUE AT MAX RPM:	<b>1.63 N-m</b>
MAX. RPM:	<b>1,256.64 rad/sec</b>
MIN. TORQUE AT MAX RPM*:	<b>0.29 N-m</b>
MAX. POWER @ MAX. RPM FOR 15 SEC.:	<b>2,047 watts</b>
MAX. CONTINUOUS POWER @ MAX. RPM:	<b>1,013 watts</b>

\*This torque is due to air drag and bearing friction; current and cogging at zero level.

MAX. COIL CURRENT (Amps)	RESISTANCE @105±25°C (ohms)	MAX. VOLTAGE (Vdc)	+24Vdc SUPPLY CURRENT (Amps)	-24Vdc SUPPLY CURRENT (Amps)	ROTOR INERTIA (kg cm <sup>2</sup> )	BRAKE WEIGHT (kg)
3.5	3.8	24	3.5	NA	2.9	2.04



## PERFORMANCE CURVES - STANDALONE MBS BRAKE



June 2018 - Magnetic Brake Systems - [www.magbrakesystems.com](http://www.magbrakesystems.com) - tel: +1 805-383-6903