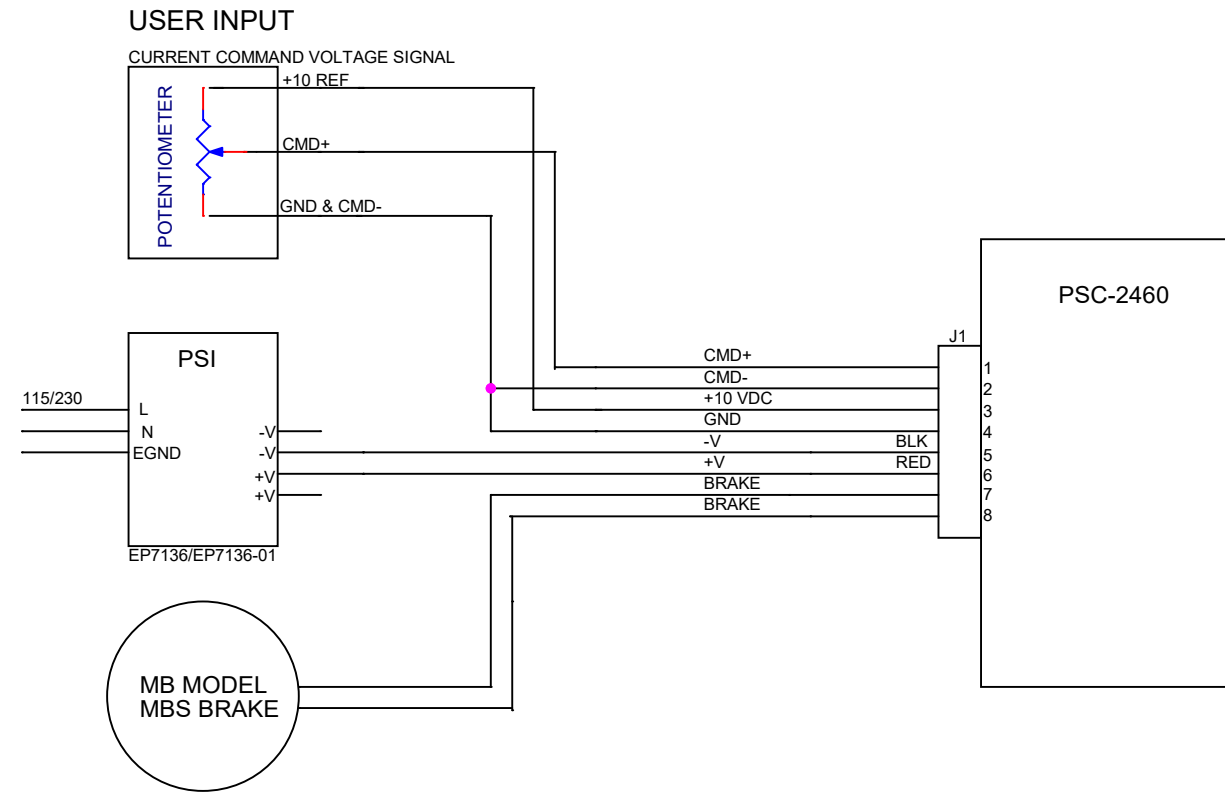
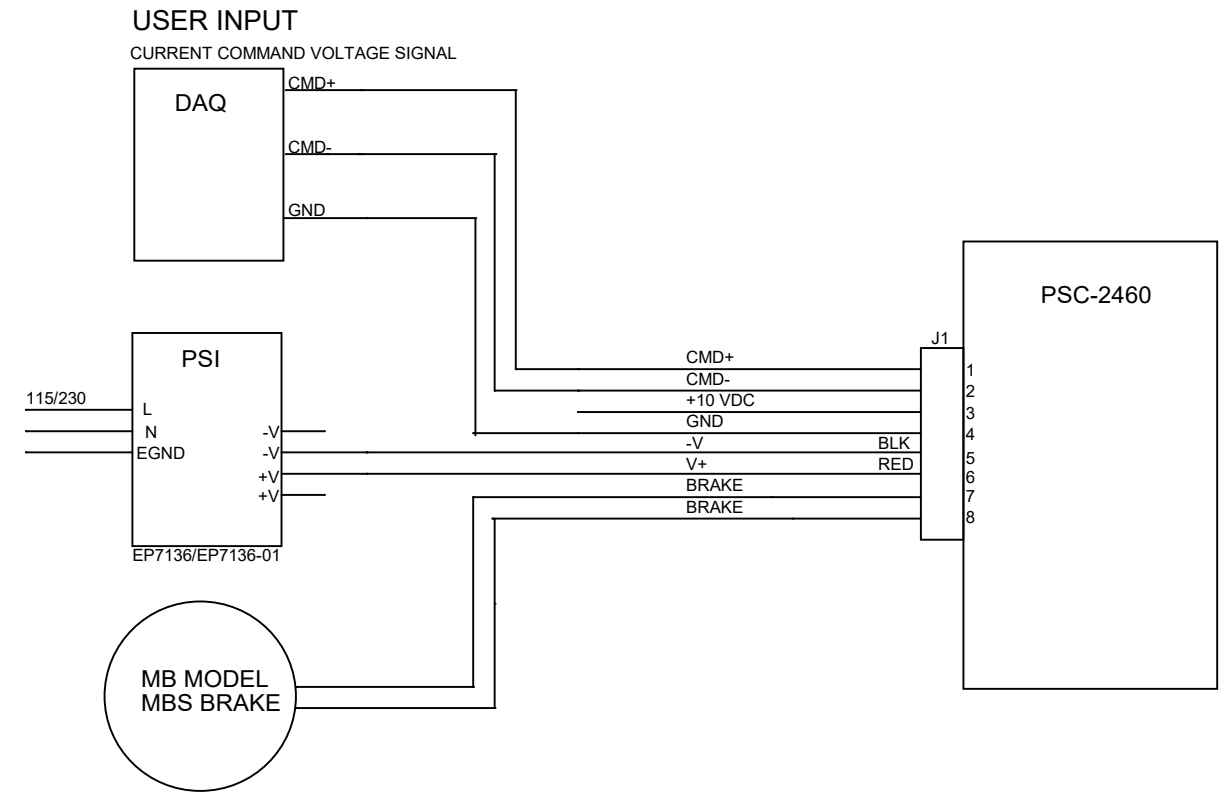


OPTION 1



OPTION 2



- NOTES:**
- PS1 (EP7136) HAS SELECTOR SWITCH FOR INPUT POWER (115/230 VAC). EP7316-01 ACCEPTS 115 & 230 VAC INPUT POWER; NO MANUAL INPUT SELECTION REQUIRED.
 - THE CURRENT OUTPUT IS LINEAR TO THE CURRENT COMMAND SIGNAL (USER INPUT). OUTPUT CURRENT IS CALIBRATED WITH THE BALANCE POT "O" AND THE GAIN POT "G", LOCATED ON THE GREEN PCB. THE BALANCE POT ADJUSTS THE ZERO CURRENT OUTPUT. (0VDC CURRENT COMMAND = 0 AMPS.) THE GAIN POT ADJUSTS THE GAIN. (10 VOLTS = 4.5 AMPS.)

J1 (PSC-2460) INFORMATION:

PIN	PIN NAME	PINS DESCRIPTION TABLE
1	CMD+	POSITIVE ANALOG COMMAND CONTROL (0-10Vdc)
2	CMD-	NEGATIVE ANALOG COMMAND CONTROL
3	+10VDC	MAXIMUM CURRENT 10 mA
4	GND	POWER RETURN.
5	-V	POWER SUPPLY RETURN
6	+V	+24V POWER SUPPLY
7	BRAKE	POLARITY DOES NOT MATTER
8	BRAKE	POLARITY DOES NOT MATTER

UNLESS OTHERWISE SPECIFIED:

- RESISTANCE VALUES IN OHMS
- CAPACITANCE VALUES IN MICROFARADS

SCALE: NONE

DRAWN: HM 05/21/21

ENGR:

APPR:



THE INFORMATION DISCLOSED HEREIN IS THE EXCLUSIVE PROPERTY OF
MBS MAGNETIC BRAKE SYSTEMS
A DIVISION OF TECHNICAL FILM SYSTEMS, INC.

OR MAY CONTAIN PROPRIETARY RIGHTS OF OTHERS AND IS NOT TO BE USED OR DISCLOSED TO OTHERS WITHOUT THE WRITTEN CONSENT OF THE ABOVE

SCHEMATIC - PSC-2460,
CONSTANT CURRENT POWER SUPPLY

SHEET 1 OF 1

B 200-0961