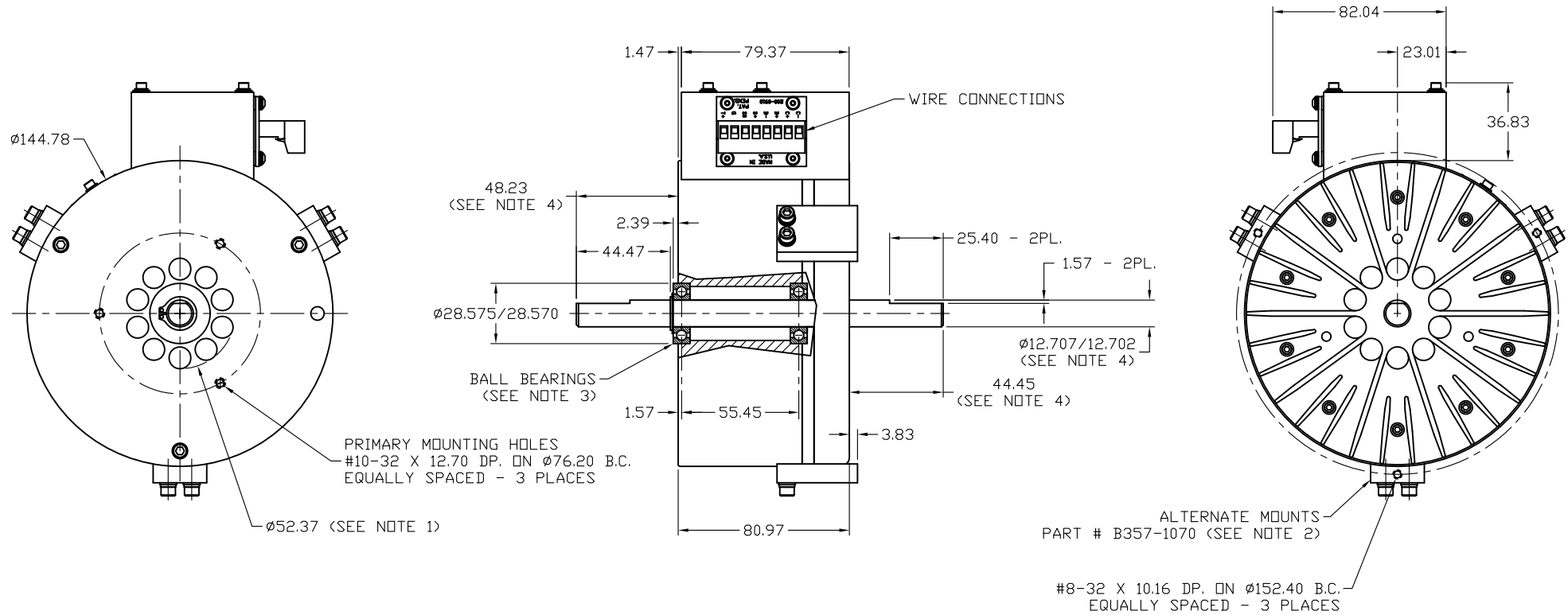


MAX. COIL CURRENT (Amps)	RESISTANCE ±10%@25°C (ohms)	MAX. VOLTAGE (Vdc)	+24Vdc SUPPLY CURRENT (Amps)	-24Vdc SUPPLY CURRENT (Amps)	ROTOR INERTIA (kg cm ²)	BRAKE WEIGHT (kg.)
5.0	2.8	24	0.5	5.0	22.3	7.31



NOTES:

1. UNITS ARE IN MILLIMETERS.
2. A 52.37 DIAMETER HOLE IS REQUIRED FOR VENTILATION PURPOSES.
IF THE BRAKE IS MOUNTED ON A FLAT SURFACE IT SHOULD BE SPACED 6.35 INCHES FROM THE SURFACE.
3. B357-1070 IS AN OPTIONAL ITEM (3 PCS. REQ.) AND SHOULD BE ORDERED SEPERATELY.
4. DIMENSIONS SHOWN ARE FOR THE STOCK SHAFT WITH ONE FLAT ON EACH END. CUSTOMER MAY REQUEST SHAFT WITH KEYWAYS. SHAFT MATERIAL: 17-4 PH STAINLESS, RC 38, 1,206.6 MPA.
5. ROTOR INERTIA INCLUDES THE SHAFT, IMPELLER AND DRAG RING.

UNLESS OTHERWISE SPECIFIED
1. DIMENSIONS ARE PER ANSI Y14.5-1973
2. SURFACE ROUGHNESS PER ANSI B46.1-1978
3. LINEAR DIMENSIONS IN INCHES
4. LINEAR TOLERANCES:
.X ± .05, .XX ± .02, .XXX ± .005
5. ANGULAR TOLERANCES:
° X ± 5', ° X ± 5"
6. MACHINED SURFACES:
1 AND 7 ALL PLANES .002/INCH
DIAMETERS WITHIN .005 TIR
MAXIMUM SURFACE ROUGHNESS √ .32
7. BREAK EDGES .01 TO .03
8. FILLETS R0.02 MAX



THE INFORMATION DISCLOSED HEREIN IS THE EXCLUSIVE PROPERTY OF
MAGNETIC BRAKE SYSTEMS
4725 CALLE QUETZAL, CAMARILLO, CA 93012
OR MAY CONTAIN PROPRIETARY RIGHTS OF OTHERS AND IS NOT TO BE USED OR
DISCLOSED TO OTHERS WITHOUT THE WRITTEN CONSENT OF THE ABOVE

BRAKE - MAGNETIC,
MODEL MBL-5.7 (METRIC)

SH 1 OF 1
357-0200E