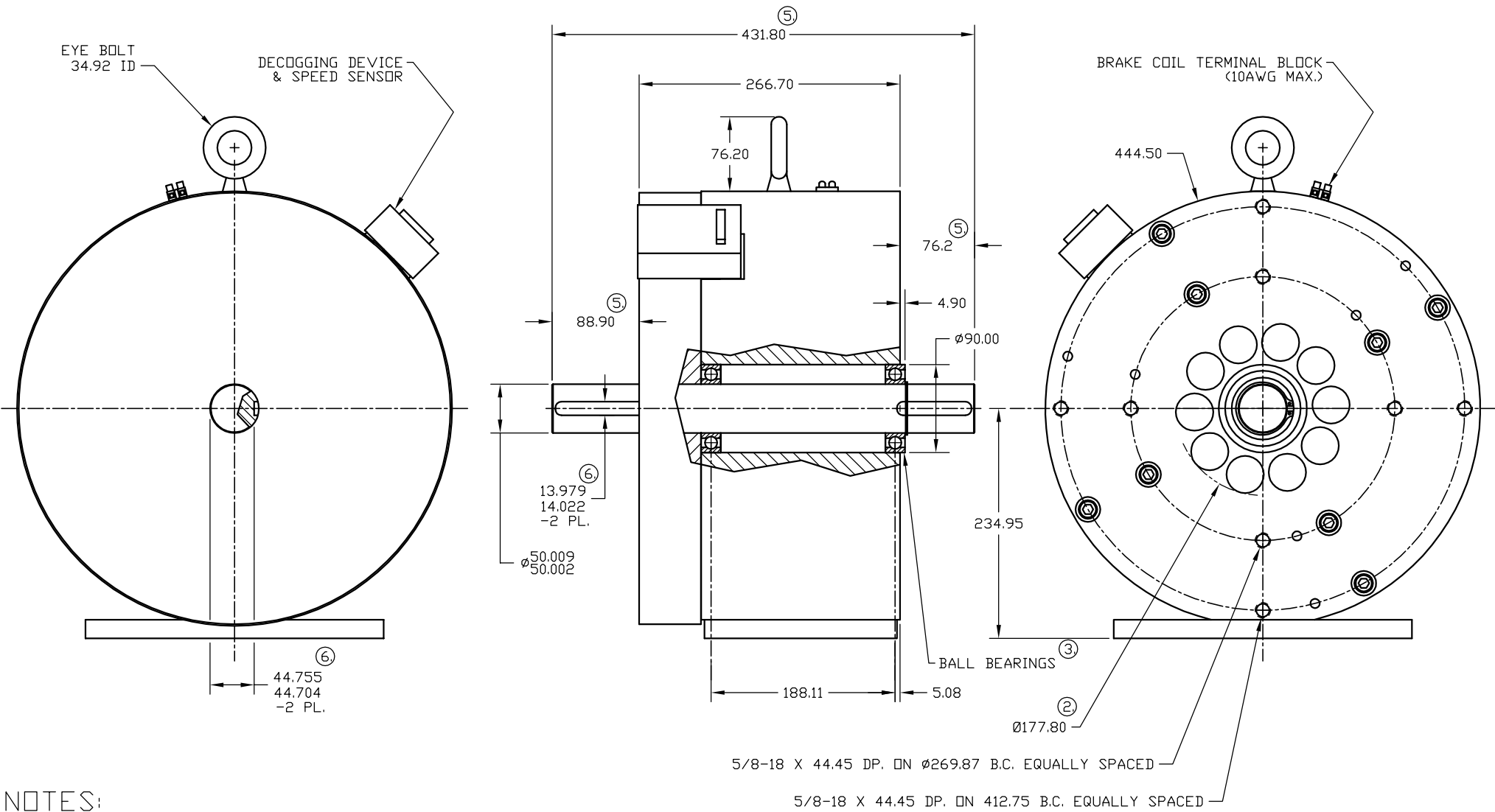


MAX. COIL CURRENT (Amps)	RESISTANCE ±10%@25°C (ohms)	MAX. VOLTAGE (Vdc)	+24Vdc SUPPLY CURRENT (Amps)	-24Vdc SUPPLY CURRENT (Amps)	ROTOR INERTIA (kg cm <sup>2</sup> )	BRAKE WEIGHT (kg.)
5.0	4.3	24	6.0	5.5	9061	231.3



- NOTES:**
1. UNITS ARE IN MILLIMETERS
  2. A 177.80 mm DIAMETER HOLE IS REQUIRED IN THE MOUNTING PLATE FOR BRAKE VENTILATION.
  3. BEARING: 50mm BORE, ABEC 1, KBC 6210ZZ OR EQUIVALENT.
  4. SHAFT DIAMETER: 50.009/50.002; MATERIAL: 17-4 PH, RC38, 1,206.6 MPA
  5. ALTERNATE SHAFT LENGTH MAY BE SPECIFIED BY CUSTOMER.
  6. KEY SEAT DIMENSIONS FOR 14mm x 9mm KEY.

<small>UNLESS OTHERWISE SPECIFIED</small> 1. DIMENSIONS ARE PER ANSI Y14.5-1973 2. SURFACE ROUGHNESS PER ANSI B46.1-1978 3. LINEAR DIMENSIONS IN INCHES 4. LINEAR TOLERANCES: X ± .05, XX ± .02, XXX ± .005 5. ANGULAR TOLERANCES: X ± 5°, XX ± 5° 6. MACHINED SURFACES: 1 AND 2 ALL PLANES .002/INCH DIAMETERS WITHIN .005 TIR MAXIMUM SURFACE ROUGHNESS √ .32 7. BREAK EDGES .01 TO .02 8. FILLETS R0.02 MAX	<small>THE INFORMATION DISCLOSED HEREIN IS THE EXCLUSIVE PROPERTY OF</small> <b>MBS</b> MAGNETIC BRAKE SYSTEMS 4725 CALLE QUETZAL, CAMARILLO, CA 93012 <small>OR MAY CONTAIN PROPRIETARY RIGHTS OF OTHERS AND IS NOT TO BE USED OR DISCLOSED TO OTHERS WITHOUT THE WRITTEN CONSENT OF THE ABOVE</small>	
	BRAKE - MAGNETIC, MODEL MBZ-17.5 (METRIC)	SH 1 OF 1 3175-0300A