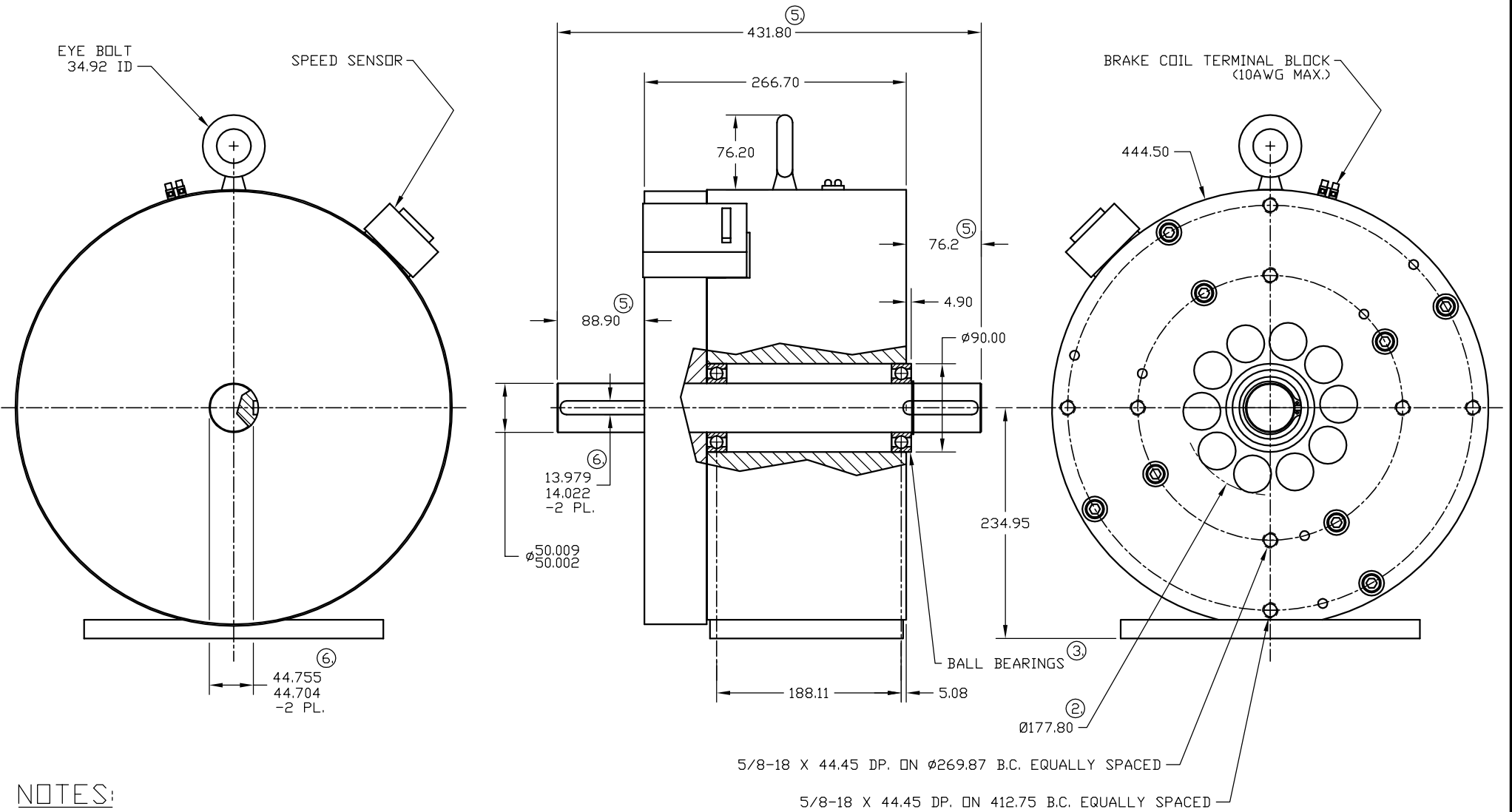


MAX. COIL CURRENT (Amps)	RESISTANCE ±10%@25°C (ohms)	MAX. VOLTAGE (Vdc)	+24Vdc SUPPLY CURRENT (Amps)	-24Vdc SUPPLY CURRENT (Amps)	ROTOR INERTIA (kg cm ²)	BRAKE WEIGHT (kg.)
5.0	4.3	24	1.0	5.5	9061	231.3



NOTES:

1. UNITS ARE IN MILLIMETERS
2. A 177.80 mm DIAMETER HOLE IS REQUIRED IN THE MOUNTING PLATE FOR BRAKE VENTILATION.
3. BEARING: 50mm BORE, ABEC 1, KBC 6210ZZ OR EQUIVALENT.
4. SHAFT DIAMETER: 50.009/50.002; MATERIAL: 17-4 PH, RC38, 1,206.6 MPA
5. ALTERNATE SHAFT LENGTH MAY BE SPECIFIED BY CUSTOMER.
6. KEY SEAT DIMENSIONS FOR 14mm x 9mm KEY.

UNLESS OTHERWISE SPECIFIED
 1. DIMENSIONS ARE PER ANSI Y14.5-1973
 2. SURFACE ROUGHNESS PER ANSI B46.1-1978
 3. LINEAR DIMENSIONS IN INCHES
 4. LINEAR TOLERANCES:
 X ± .05, XX ± .02, XXX ± .005
 5. ANGULAR TOLERANCES:
 X ± 5°, XX ± 5°
 6. MACHINED SURFACES:
 1 AND 2 ALL PLANES .002/INCH
 DIAMETERS WITHIN .005 TIR
 MAXIMUM SURFACE ROUGHNESS √ .32
 7. BREAK EDGES .01 TO .02
 8. FILLETS R0.02 MAX

THE INFORMATION DISCLOSED HEREIN IS THE EXCLUSIVE PROPERTY OF
MBS MAGNETIC BRAKE SYSTEMS
 4725 CALLE QUETZAL, CAMARILLO, CA 93012
 OR MAY CONTAIN PROPRIETARY RIGHTS OF OTHERS AND IS NOT TO BE USED OR
 DISCLOSED TO OTHERS WITHOUT THE WRITTEN CONSENT OF THE ABOVE

BRAKE - MAGNETIC,
 MODEL MBL-17.5 (METRIC)

SH 1 OF 1
 3175-0200